

# greenteQ Security rose pair PZ 12mm AL

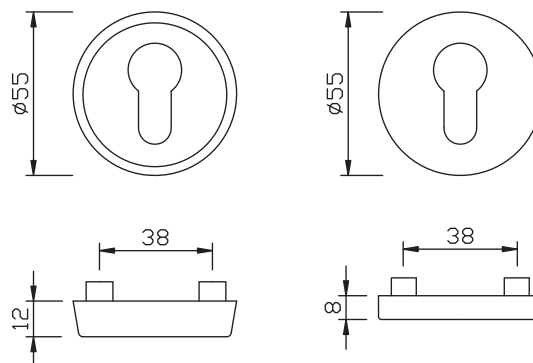
greenteQ roses for entrance doors, to combine with pull handles and lever handles.

## Properties:

greenteQ security rose pair PZ 12mm AL; round; for profile cylinder; diameter of rose 55 mm; outside: height of edge 12 mm; inside: height of edge 8 mm;

invisible fixing; door thickness 57 - 72 mm; aluminium silver anodized.

## Product picture and technical drawing:



## Technical data:

Material	Aluminium
Surface	silver anodized (F1)
Keyhole	PZ
Diameter of rose outside	55 mm
Height of edge outside	12 mm
Diameter of rose inside	55 mm
Height of edge inside	8 mm
Door thickness	57 - 72 mm
Screws	M5 x 70 mm (2 pcs.), M5 x 80 mm (2 pcs.)
Packaging unit	10 pairs

Name	VBH Item-Number
Security rose pair PZ 12mm AL	318.975 / 0100

## PRODUCT DATA SHEET

DOOR HARDWARE - Security rose pair PZ 12mm AL

The instructions for use, service and product details as well as other technical information for our greenteQ products are general guidelines. These serve only to describe the properties and performance features of our products and do not constitute a guarantee as per Section 443 of the BGB (German Civil Code). Due to the variety of possible applications, it is incumbent upon the user to test whether or not it is suitable for the desired application. Technical application advice provided by us verbally, in writing or through tests is for your information only and is absolutely non-binding.

greenteQ

Edition 03/2012 | [www.vbh.de](http://www.vbh.de)